



ALPINE SANITATION & SUPPLIES LTD.
24 Ronson Drive, Unit 16, Etobicoke, Ontario M9W 1B4
Bus: (416)-744-2120 Fax: (416)-249-1859 Toll Free: 1-800 465-6198

DF

Rotary Type
Fully Automatic
Glasswashing Machine

*The DF Series glasswashers
provide high volume, top quality
performance in a compact, single unit.*

New three-pump injection system:

- Injector system allows the use of separate sanitizer and rinse aid resulting in real savings.
- Precisely calibrated pumps inject just the right amount of chemical each time – no guesswork – no waste.

Upper and lower wash and rinse arms produce sparkling clean glasses every time.

Double walled construction for quieter operation.

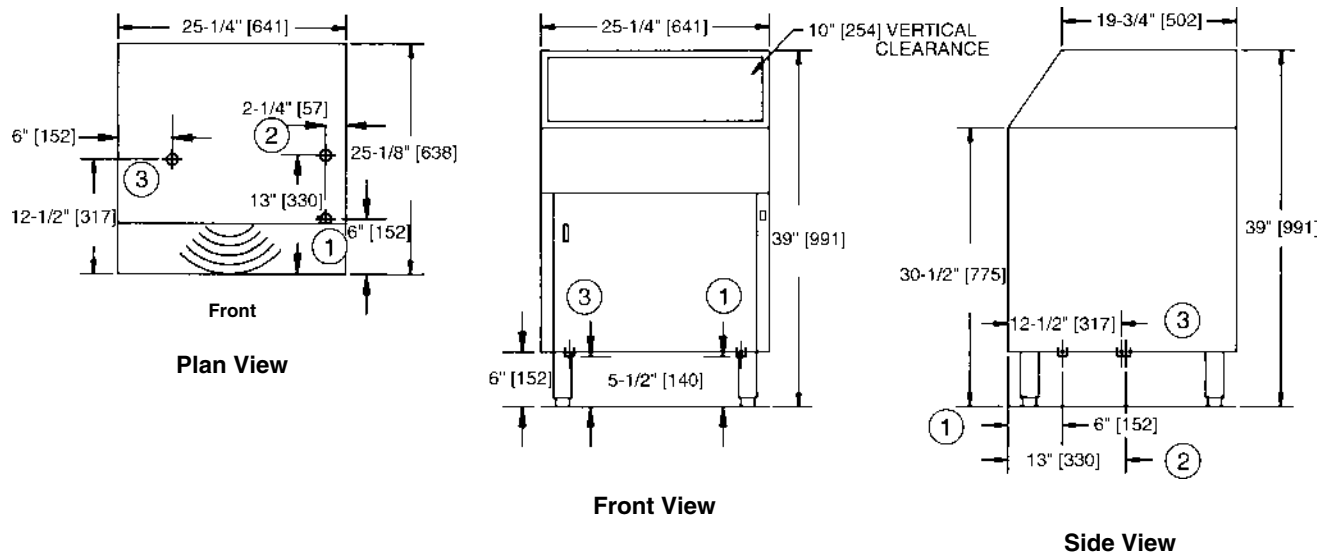
Cool final rinse water provides a cool glass ready for immediate use.

Splash shields for splasher protection.

An off-the-floor shelf provides storage for three, 1 gallon containers.

Polypropylene conveyor virtually eliminates chipping of fine stemware.





Dimensions shown in
inches and millimeters

Quick Facts

Capacity (hr.)
2-1/2" [64] glasses 1000

Water Consumption
Cold water (approx.) 2.8 US gpm;
10.6 liters/min;
2.24 imp gpm
Hot water (initial fill) 3 US gallons;
11.35 liters;
2.4 imp gallons
(Max use - approx. 10 US gph - 8.3 imp gph)

Temperatures °F/C
Inlet water (hot) 140-160/61-69
Inlet water (cold) 75/24

Heating
Tank heat, electric (kw) 3

Conveyor Movement
DF (access door front) Clockwise
DF-1 (access door right) Clockwise
DF-2 (access door left) Counter-Clockwise

Utilities

*Electrical: 208 - 230/60/1, 15 amp

1	Hot water connection: 1/2" [13] IPS Flow pressure 25-95 psi [172.5-656 kPa]
2	Cold water connection: 1/2" [13] IPS Flow pressure 25-95 psi [172.5-656 kPa]
3	Drain connection: 1-1/2" [38] tailpiece Connect to drain size according to local plumbing code.

*NOTE: DF Models supplied with 6 ft. [1829] plug in cord.

Warning:

Plumbing and electrical connections should be made by qualified personnel who will observe all the applicable plumbing, sanitary and safety codes.

Due to an ongoing value analysis program at Moyer Diebel, specifications in this catalog are subject to change without notice.

Optional Accessories

- 0707544 – Drain tray and waste collector (DF-70A)
- 0707258 – Quick disconnect package (incl. casters)
- 0701962 – Casters; set of four – 2 locking, 2 regular
- 0702903 – Hand sink and wet waste receiver (SW46)
- 0701956 – Wash down hose

	Uncrated	Crated
Height*	39" [991]	46-1/2" [1181]
Width	25-1/4" [640]	27" [685]
Depth	25-1/8" [638]	27-1/2" [698]
Ship Wt. lbs/kg	156/71	176/80
* Adjustable foot height - 1-1/4" [45]		