



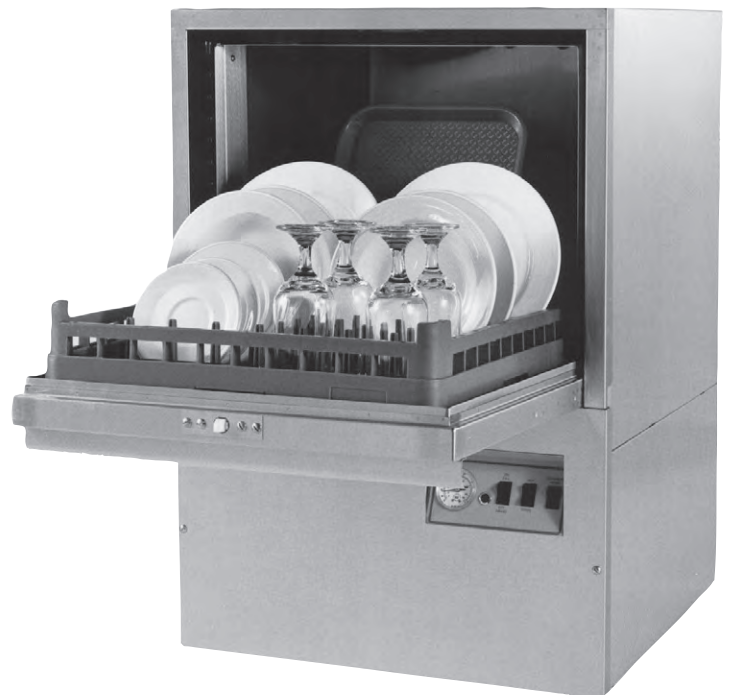
ALPINE SANITATION & SUPPLIES LTD.
24 Ronson Drive, Unit 16, Etobicoke, Ontario M9W 1B4
Bus: (416)-744-2120 Fax: (416)-249-1859 Toll Free: 1-800 465-6198

Standard Features

- Fully automatic wash/rinse cycle processes a rack of wares in 140 seconds ... 21 racks an hour!
- Easy to operate: On to fill, Off to drain.
- Pumped drain permits use of drain connections up to 4 feet [1220mm] above the floor.
- Extended wash switch provides a prolonged wash cycle for heavily soiled items and doubles as the switch that activates the delimiting cycle.
- Upper and lower wash/rinse arms produce sparkling clean ware every time.
- Built-in booster provides 180°F/82°C final rinse water.
- Rinse Sentry: monitors the booster temperature and automatically extends the cycle time to ensure 180°F final rinse.
- Thermostatically controlled wash tank heater maintains water at the required temperature.
- Exclusive vent design permits venting of condensation.
- Heavy-duty stainless steel construction.
- 16" [406mm] door opening accommodates larger wares, including trays!
- Detergent pump and rinse-aid pump are standard.
- Complete with two 20" x 20" [508mm x 508mm] racks (peg rack and flat rack).
- One year parts and labor warranty.

501HT

Undercounter
High Temperature
Dishwashing Machine
with Built-in Booster Heater



*Shown with optional
top and side panels

501HT

Undercounter
High Temperature Dishwashing Machine
with Built-in Booster Heater

Quick Facts

Capacity

Racks per hr. 21

Motor horsepower

Wash 0.5

Water Consumption

Per hr. (max. use) 37 US gal;
147 liters;

Per rack 31.5 imp. gal;
1.8 US gal;
7 liters;
1.5 imp. gal

Temperatures °F/C

Wash (minimum)* 150/66

Rinse (minimum) 180/82

Heating

Tank heat, electric (kW) 1.2

Electric booster

(kW required for 40°F/22°C rise) 6

(kW required for 70°F/39°C rise) 9

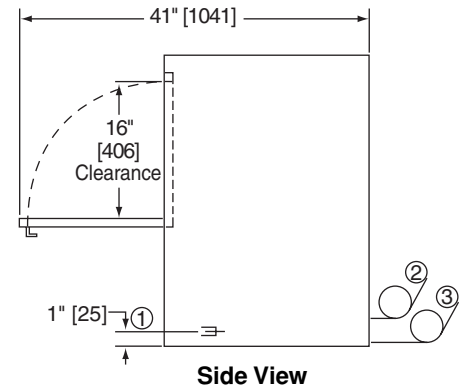
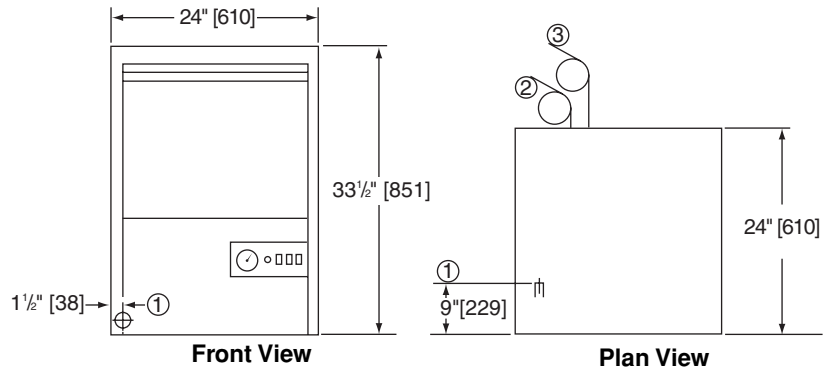
Time cycle in seconds

Wash 80

Rinse 23

Drain/fill 37

Dimensions shown in inches and [millimeters]



501HT with 40°F/22°C Rise Booster

Elec. Specs.	Rated Amps	Minimum Supply Ckt. Conductor Ampacity	Maximum Overcurrent Protective Device
208/60/1	36	50	50
240/60/1	40	50	50

501HT with 70°F/39°C Rise Booster

Elec. Specs.	Rated Amps	Minimum Supply Ckt. Conductor Ampacity	Maximum Overcurrent Protective Device
208/60/1	48	60	60
240/60/1	55	70	70

Utilities

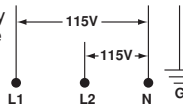
1 Electrical connection:
208-240/60/1; 3 wire + ground
hard wiring required (see box)

2 Water connection:
140°F/60°C Min., hot water connection for 40°F/22°C rise booster
110°F/43°C Min., hot water connection for 70°F/39°C rise booster
6 ft. long, 1/2" I.D. flexible fill hose with 3/4" hose connector
Flow pressure: 25-95 psi (173-656 kPa)

3 Drain connection:
6 ft. long, 5/8" I.D. flexible hose
Max drain flow: 8 US gpm, 30 lpm, 7 imp. gpm

*Note:

Electrical supply service must be a 3-wire plus ground for connection as shown.



* Supply water temperature 140°F/60°C Min.

Warning:

Plumbing and electrical connections should be made by qualified personnel who will observe all the applicable plumbing, sanitary and safety codes.

Due to an ongoing value analysis program at Moyer Diebel, specifications in this catalog are subject to change without notice.

Optional Accessories:

- 0708756 – Kit 504 - top and side panel
- 0708744 – Kit 505 - top panel
- 0708745 – Kit 506 - left side panel
- 0708746 – Kit 507 - right side panel
- Kit 511 - 70° rise booster
- 0708757 – 17RS - 17" rack storage stand
- CST - Combination sink/table
- 0701969 – 6T - 6" stand

	Uncrated	Crated
Height*	33-1/2" [851]	39-1/2" [1003]
Width	24" [610]	25" [635]
Depth	24" [610]	25-1/2" [647]
Ship Wt. lbs/kg	178/79	198/90

* Front leveling feet provided.